

SOLARGUARD® PRO MESH KIT

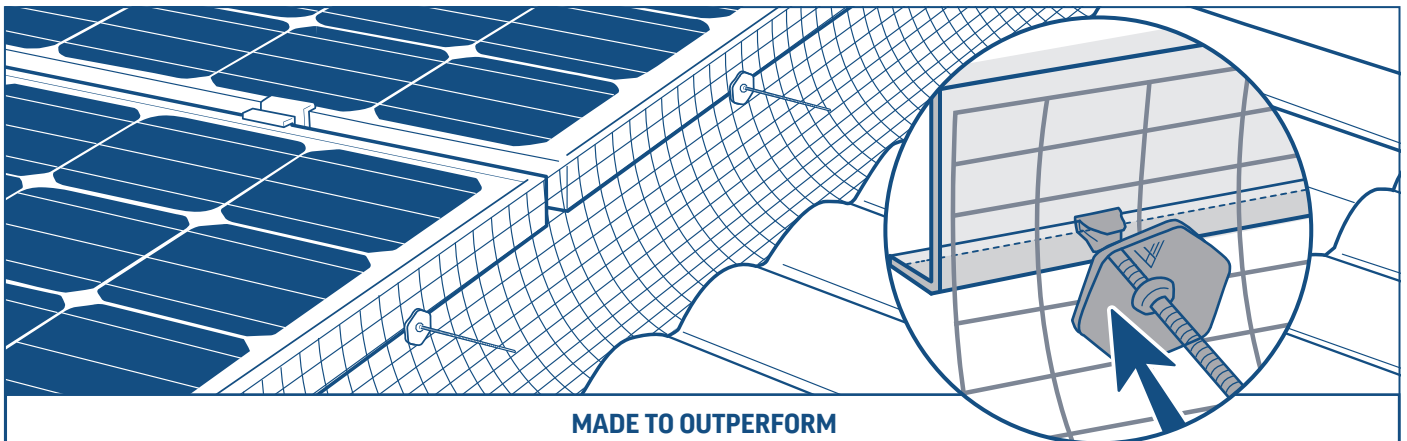
VEXO SOLARGUARD® PRO provides a complete solution to prevent birds and other pests gaining access beneath solar panel installations.

VEXO SOLARGUARD® PRO kits are designed to fit around the perimeter of solar panels, flush against the roof surface. The mesh protects the roof, solar panels, and electrical wiring from potential damage inflicted by birds and other pests and maintains an effective physical barrier around your solar panels to keep birds from nesting underneath. All this while being barely visible from ground level. Importantly, the system is humane and designed to cause no harm birds or pests.



EACH KIT CONTAINS

Stainless Steel PVC Coated Mesh 205mm(H) x 30m(L)	✓
UV Stabilised Fasteners x 100	✓
UV Stabilised Cable Ties x 20	✓
Gloves x 1	✓
Installation Guide	✓



MADE TO OUTPERFORM

Comprised of premium grade 304 stainless steel mesh, coated across the entire width with UV resistant PVC. This ensures no part of the steel mesh is exposed to potentially scratch the roof and solar panels or to become corrosion points.

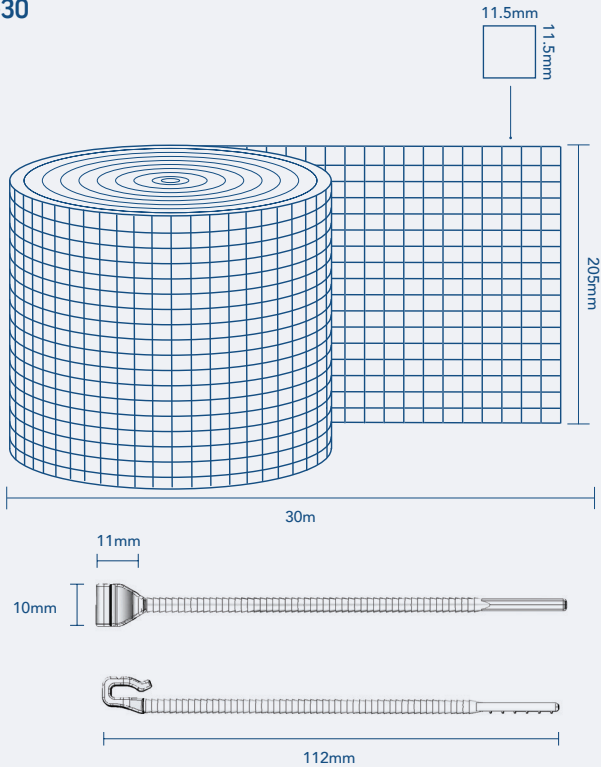
Our proprietary fasteners are made from 100% UV stabilised nylon for longevity and are custom designed for efficient and secure installation. The fasteners can even be installed with one hand when preloaded with the locking disc, freeing up the other hand to ensure the mesh stays exactly where you want it.

SUPPORT

Contact **+61 3 9458 5118** or **info@vexo.com.au** for any assistance in solution evaluation and product recommendation.

MODEL SPECS

MZ-30



TARGET PEST

Pigeons	✓	Sparrows	✓
Mynas	✓	Swallows	✓
Starlings	✓	Seagulls	✓
Galahs	✓	Cockatoos	✓
Magpies	✓	Possums	✓

APPLICATION

Solar Panels	✓
--------------	---

WARRANTY

VEXO SOLARGUARD® PRO kits are warranted against defects in materials for 6 years.

Refer to our warranty policy for further information.

PRODUCT HANDLING

Installed correctly, this solar panel solution securely safeguards the panels without damage to the panels or the roof. Refer to installation guide and adhere to all required site occupational safety requirements.

PRODUCT DATA

Product Name	Solarguard® Pro
Product Code	MZ-30
Length	30m
Width	205mm
Mesh Material	SUS304 Stainless Steel
Mesh Aperture	11.5mm
Wire Diameter before PVC coating	0.7mm
Wire Diameter after PVC coating	1mm
Fastening Clip Material	UV Protected Nylon
Length	112mm
Width	10mm
Mounting System	Any solar panel with a bracket depth of 2 - 8mm.
Durability/Warranty	VEXO SOLARGUARD® PRO kits are warranted against defects in materials for 6 years.*
Colour	Black

PACKED PRODUCT DETAILS

Dimensions	26cm x 24cm x 26cm
Weight	4.1kg

FEATURES AND BENEFITS

Premium Stainless Steel Mesh, PVC Coated Edge to Edge	✓
Securely Fastens Without the Need to Drill or Screw	✓
Simple and Secure Installation	✓
UV Stabilised Nylon	✓
Resists Harsh Australian Conditions	✓

KIT CONTAINS



Gloves
x1



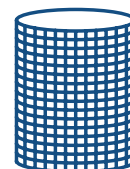
Cable Ties
x100



Fasteners
x100



Installation
Guide



304 Stainless Steel
PVC Coated Mesh
205mm(H) x 30m(L)